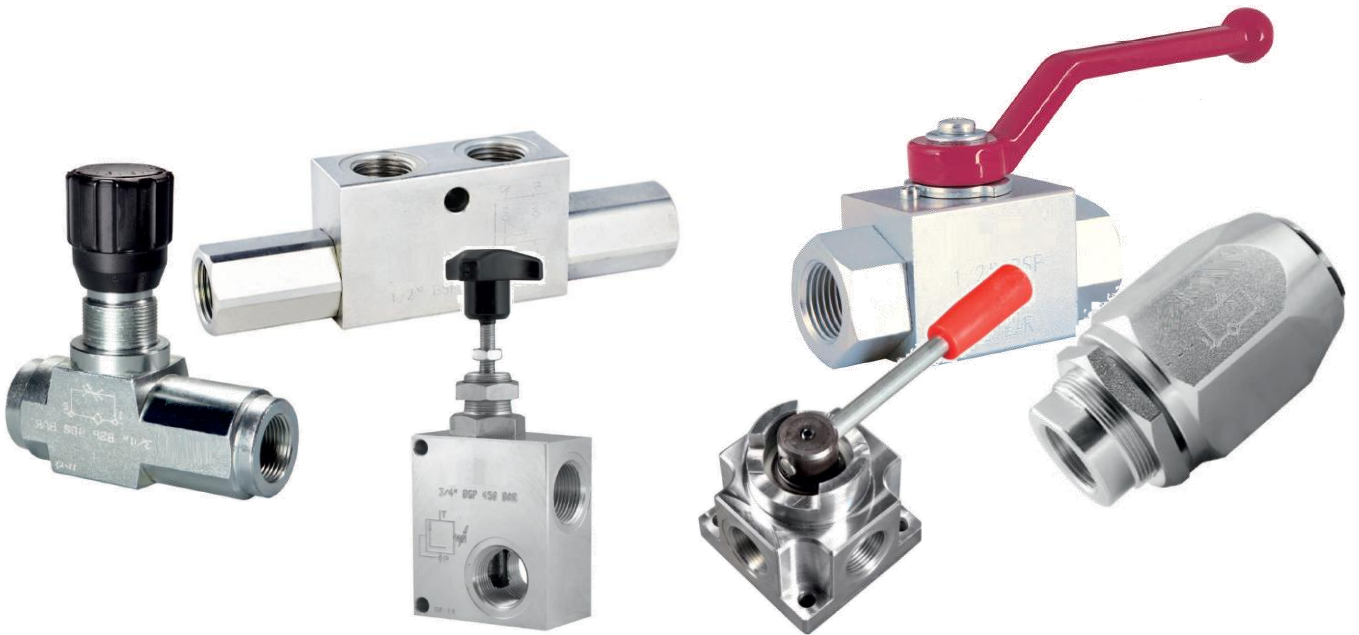


HYDRAULIC VALVE GROUP

www.hydrex.com.tr



 **HYDREX**

INDEX

Hydraulic Double Pilot Operated Check Valves	3
Hydraulic Load Shuttle Valves	5
Hydraulic Pressure Relief Valves	6
Hydraulic Flow Control Valves	7
Volan Type Flow Control Valves	11
Hydraulic Ball Valves	
<i>Hydraulic 2-way Ball Valves</i>	13
<i>Hydraulic 2-way Aisi 316-l Stainless Steel Ball Valves</i>	14
<i>Hydraulic 2-way Metric Ball Valves</i>	15
<i>Hydraulic 2-way Ball Valves (For Hammers & Brakers)</i>	16
<i>Hydraulic 2-way Aisi 316-l Stainless Steel Ball Valves</i>	18
<i>Hydraulic 2-way Ball Valves (Rox Agricultural Series)</i>	19
<i>Hydraulic 3-way Ball Valves</i>	20
<i>Hydraulic 3-way Aisi 316-l Stainless Steel Ball Valves</i>	21
<i>Hydraulic 3-way Aluminium Ball Valves</i>	22
<i>Double Acting Pneumatic Actuator Hydraulic 2-way Ball Valves</i>	23
<i>Double Acting Pneumatic Actuator Hydraulic 3-way Ball Valves</i>	24

HYDRAULIC DOUBLE PILOT OPERATED CHECK VALVES

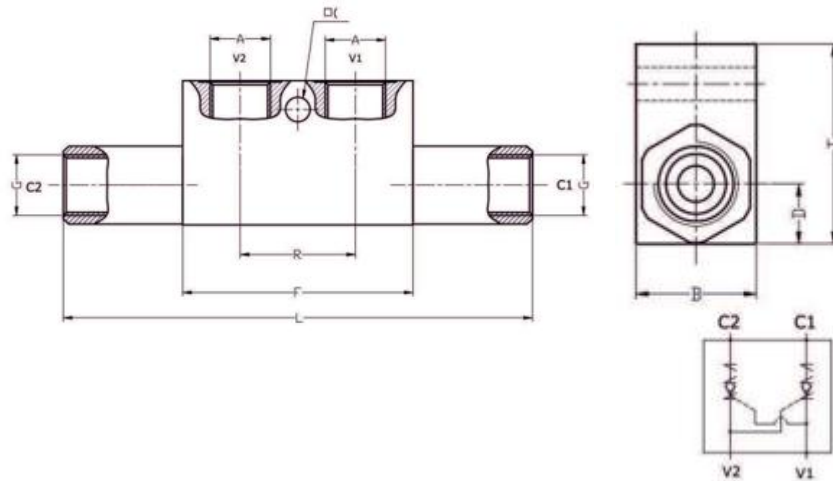


Although they are in the same range with inline check valves, DC Series Hydraulic Double Pilot Operated Check Valves are different in that they permit the valve to open normally closed direction or they provide a positive shut-off by means of a specific pilot pressure signal.

Fluid is directed towards one of the valve ports and free flow to the corresponding port. Then by moving the pilot piston the pressure opens opposite check valve and provides a return passage for fluid through the opposite check valve.

DC Series have excellent seal due to the heat treatment applied to internal components.

Material	Carbon Steel
Thread Size	BSP (Upon Request: NPT, Metric)
Sealing	Nitrile O-ring (NBR)
Working Temperature	-30 °C and +110 °C
Plating	Zinc Plating (Cr III Passivation)
Heat Treatment	Internal parts
Applications	Lifting equipments, cranes, platforms, concrete mixers, agricultural machines.



ORDER CODE	Thread Size A	Working Pressure (bar)	Dimensions (mm)						
			B	D	ØE	F	L	R	T
T14-1-0001	1/4" BSP	380	30	13	7	65	128	33	40
T14-1-0002	3/8" BSP	380	30	13	7	65	128	33	40
T14-1-0003	M 18x1,5-RA12	380	30	13	7	65	138.5	33	40
T14-1-0004	M 18x1,5-RA12	380	30	13	7	65	176	33	40
T14-1-0005	1/2" BSP	360	30	15	8.5	80	163	40	50
T14-1-0006	3/4" BSP	320	40	20	10.5	100	200	55	60

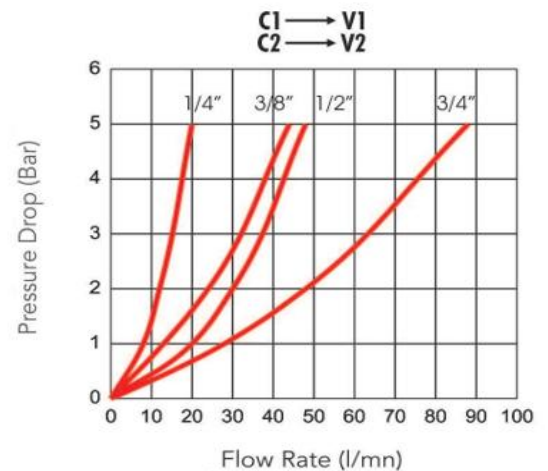
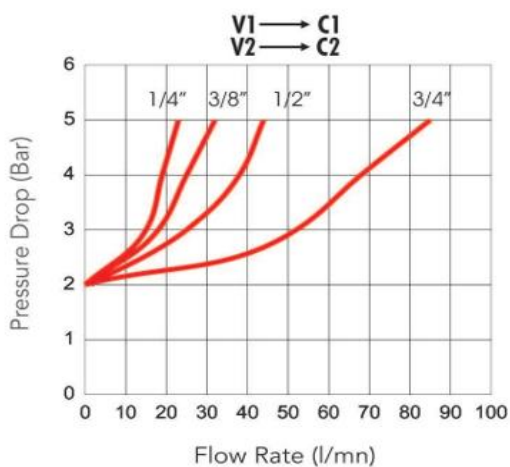
HYDRAULIC DOUBLE PILOT OPERATED CHECK VALVES

Flow Rate / Pressure Drop Table

V1 → C1 V2 → C2		Pressure Drop Δ p		
CODE	Thread Size A	3 Bar	4 Bar	5 Bar
		T14-1-0001	1/4" BSP	15
T14-1-0002	3/8" BSP	18	25	32
T14-1-0003	1/2" BSP	25	38	44
T14-1-0004	3/4" BSP	52	68	85

C1 → V1 C2 → V2		Pressure Drop Δ p		
CODE	Thread Size A	1 Bar	2 Bar	5 Bar
		T14-1-0001	1/4" BSP	8
T14-1-0002	3/8" BSP	13	24	44
T14-1-0003	1/2"	20	30	48
T14-1-0004	3/4"	28	48	88

ORDER CODE	Thread Size A	Working Pressure (bar)	Dimensions (mm)						
			B	D	ØE	F	L	R	T
T14-1-0001	1/4" BSP	380	30	13	7	65	128	33	40
T14-1-0002	3/8" BSP	380	30	13	7	65	128	33	40
T14-1-0003	M 18x1,5-RA12	380	30	13	7	65	138.5	33	40
T14-1-0004	M 18x1,5-RA12	380	30	13	7	65	176	33	40
T14-1-0005	1/2" BSP	360	30	15	8.5	80	163	40	50
T14-1-0006	3/4" BSP	320	40	20	10.5	100	200	55	60



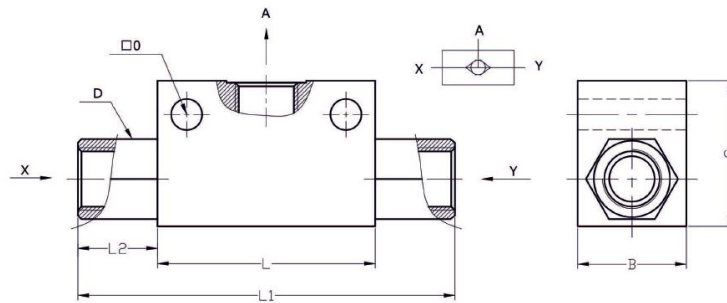
HYDRAULIC LOAD SHUTTLE VALVES

LS Series Load Shuttle Valves direct the higher input pressure from two different ports towards the one single output port. They consist of a body and a chrome coated single steel ball placed between two opposite check valves. When fluid comes from one of inlet port, the internal ball blocks the opposite seat by pressurizing it and provides a flow passage to the outlet port.

LS Series are generally used in load sense circuits and hydraulic brake applications in order to route fluid from the pressure side of a bidirectional hydraulic motor to a pressure decreased hydraulic brake.

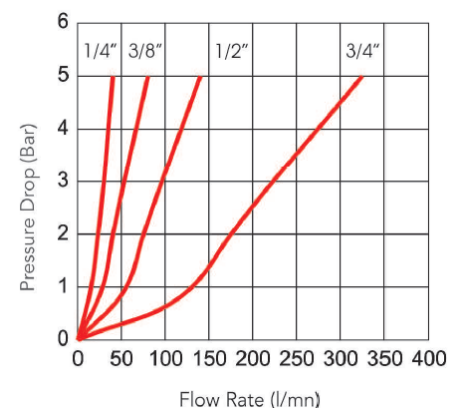


Material	Carbon Steel
Thread Size	BSP (Upon Request: NPT, Metric)
Sealing	Nitrile O-ring (NBR)
Working Temperature	-30 °C and +110 °C
Plating	Zinc Plating (Cr III Passivation)
Applications	Hydraulic brake applications
Material	Carbon Steel



ORDER CODE	Thread Size A	Working Pressure (bar)	Dimensions (mm)						
			B	C	D	L	L1	L2	ØM
T14-1-0007	1/4" BSP	380	30	40	22	60	104	22	8.5
T14-1-0008	3/8" BSP	380	30	40	22	60	104	22	8.5
T14-1-0009	1/2" BSP	360	30	50	27	75	131	28	8.5
T14-1-0010	3/4" BSP	340	40	60	36	90	160	35	8.5

C1 → V1 C2 → V2		Pressure Drop Δ p		
CODE	Thread Size A	1 Bar	2 Bar	5 Bar
		T14-1-0007	1/4" BSP	15
T14-1-0008	3/8" BSP	28	40	80
T14-1-0009	1/2" BSP	55	75	140
T14-1-0010	3/4" BSP	130	170	330

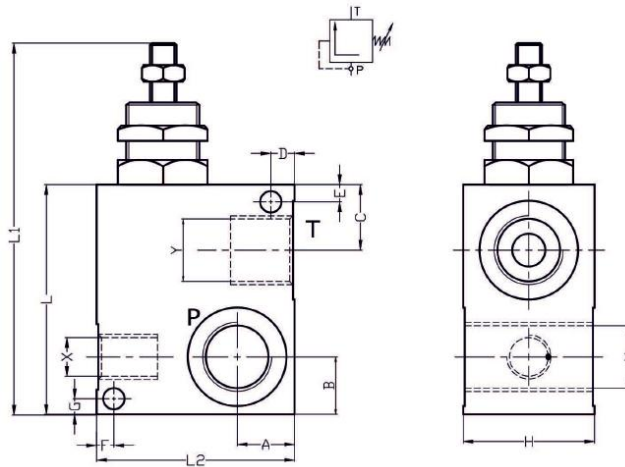


HYDRAULIC PRESSURE RELIEF VALVES



PR Series Hydraulic Pressure Relief Valves act as a part of the control systems in hydraulic systems. When the system gets over loaded, the Pressure Relief Valve opens and flow comes from the pump is leaded directly into the hydraulic reservoir. The pressure in the hydraulic system remains on the value determined by the spring on the Pressure Relief Valve. PR Series Hydraulic Pressure Relief Valves are used to limit the pressure inside of the hydraulic circuits.

Material	Aluminium
Thread Size	BSP (Upon Request: NPT, Metric)
Sealing	Nitrile O-ring (NBR)
Working Temperature	-30 °C and +110 °C
Heat Treatment	Internal parts
Applications	Hydraulic brake applications



ORDER CODE	Thread Size A	Working Pressure (bar)	Dimensions (mm)											
			A	B	C	D	E	F	G	H	X	L	L1	L2
T14-1-0011	1/4" BSP	480	16.5	14.50	20	5.25	5.25	-	-	30	1/4" BSP	65	115	45
T14-1-0012	3/8" BSP	480	14.5	14.50	21.5	5.25	5.25	-	-	30	1/4" BSP	65	115	45
T14-1-0013	1/2" BSP	450	17.5	19.50	21.5	7.5	5.25	6	5	35	1/4" BSP	72	123	60
T14-1-0014	3/4" BSP	450	24	21	23.3	-	-	5.25	5.25	40	1/4" BSP	80	145	60
T14-1-0015	1" BSP	380	26.25	25.25	23.25	-	-	6	5.75	49	1/4" BSP	89	154	79

HYDRAULIC FLOW CONTROL VALVES



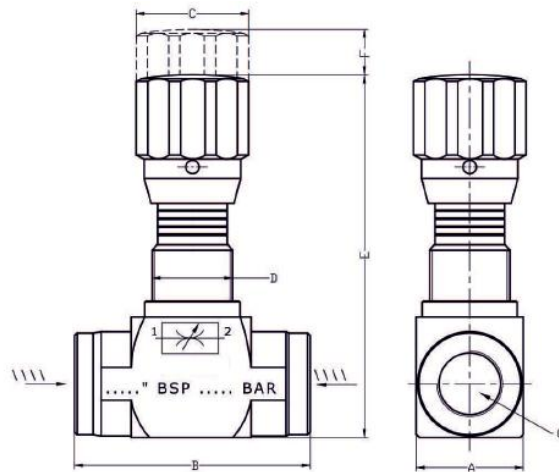
Connection nuts are available in stock.

FC Series Hydraulic Flow Control Valves allow shut-off and the adjustment of the flow in both directions. They provide reliable and easy control of fluid by means of the control knob allows adjustment.

The setscrew on the control knob allows the knob to be locked, preventing movements and changes due to vibration.

FC Series Flow Control Valves are widely used in many fields especially in mobile and industrial hydraulic units and elevating platforms by controlling and protecting of fluid power precisely, and providing accurate settings for fluid speed.

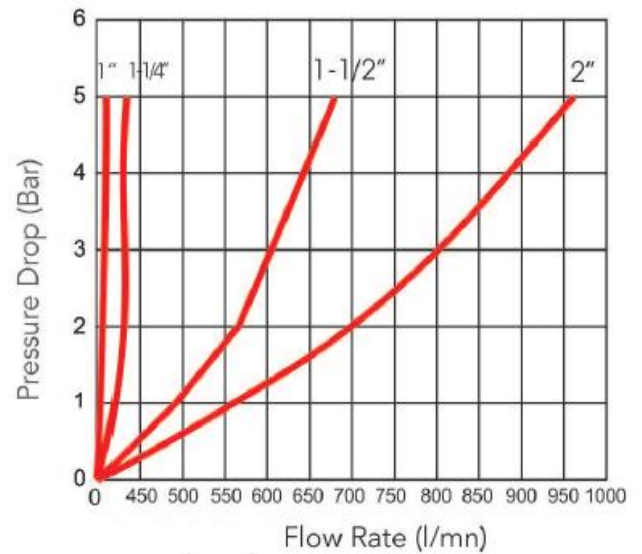
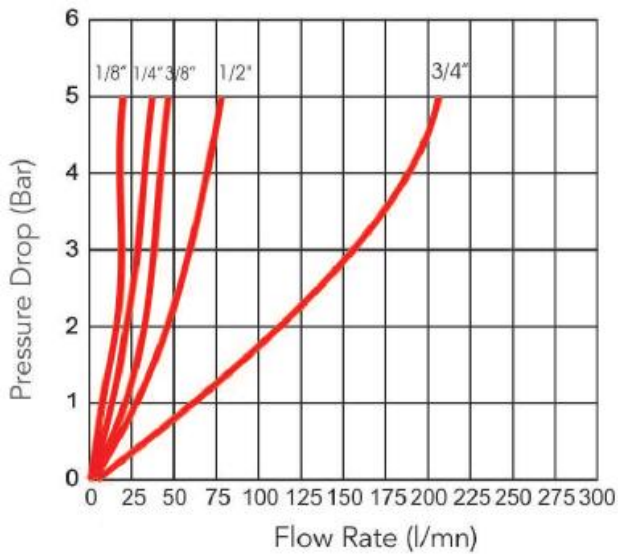
Material	Carbon Steel
Thread Size	BSP (Upon Request: NPT, Metric)
Sealing	Nitrile O-ring (NBR)
Working Temperature	-30 °C and +110 °C
Plating	Zinc Plating (Cr III Passivation)
Applications	General hydraulic applications



ORDER CODE	Thread Size A	Working Pressure (bar)	Dimensions (mm)					
			A	B	C	D	E	F
T14-1-0016	1/8" BSP	650	18	40	25	M14x1	71,50	5,50
T14-1-0017	1/4" BSP	550	25	59	32	M20x1,5	87	8
T14-1-0018	3/8" BSP	530	25	60	32	M20x1,5	87	8
T14-1-0019	1/2" BSP	500	30	66	34	M22x1,5	92	11
T14-1-0020	3/4" BSP	480	40	88	42	M30x1,5	123	17
T14-1-0021	1" BSP	450	45	100	42	M30x1,5	130	18,50
T14-1-0022	1-1/4" BSP	400	55	120	60	M40x1,5	170	19
T14-1-0023	1-1/2" BSP	380	65	135	60	M45x1,5	185	20
T14-1-0024	2" BSP	350	75	150	80	M50x2	200	21

HYDRAULIC FLOW CONTROL VALVES

CODE	Thread Size A	Pressure Drop Δp		
		1 Bar	2 Bar	5 Bar
T14-1-0016	1/8" BSP	8,55	12	19
T14-1-0017	1/4" BSP	15,20	21,50	33,90
T14-1-0018	3/8" BSP	20,70	29,90	46,20
T14-1-0019	1/2" BSP	34,20	48,30	76,30
T14-1-0020	3/4" BSP	94,80	134	211,90
T14-1-0021	1" BSP	152,30	215	340
T14-1-0022	1-1/4" BSP	168	238,30	376,80
T14-1-0023	1-1/2" BSP	307	434	686,90
T14-1-0024	2" BSP	431,90	609,90	965



HYDRAULIC FLOW CONTROL VALVES WITH CHECK



Connection nuts are available in stock.

FC Series Hydraulic Flow Control Valves allow shut-off and the adjustment of the flow in both directions. They provide reliable and easy control of fluid by means of the control knob allows adjustment.

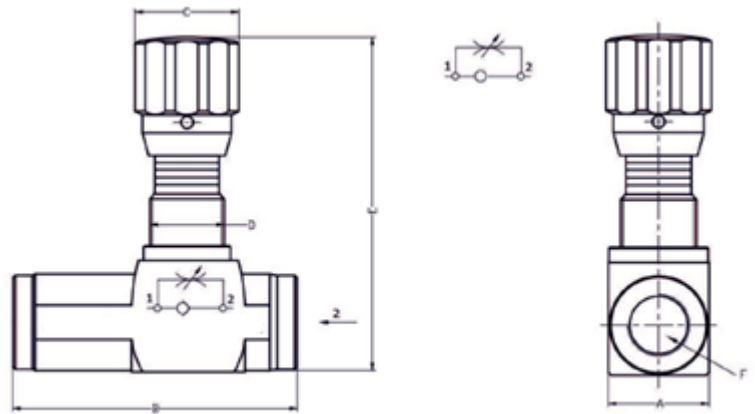
The setscrew on the control knob allows the knob to be locked, preventing movements and changes due to vibration.

FC Series Flow Control Valves are widely used in many fields especially in mobile and industrial hydraulic units and elevating platforms by controlling and protecting of fluid power precisely, and providing accurate settings for fluid speed.

Material	Carbon Steel
Thread Size	BSP (Upon Request: NPT, Metric)
Sealing	Nitrile O-ring (NBR)
Working Temperature	-30 °C and +110 °C
Plating	Zinc Plating (Cr III Passivation)
Applications	General hydraulic applications



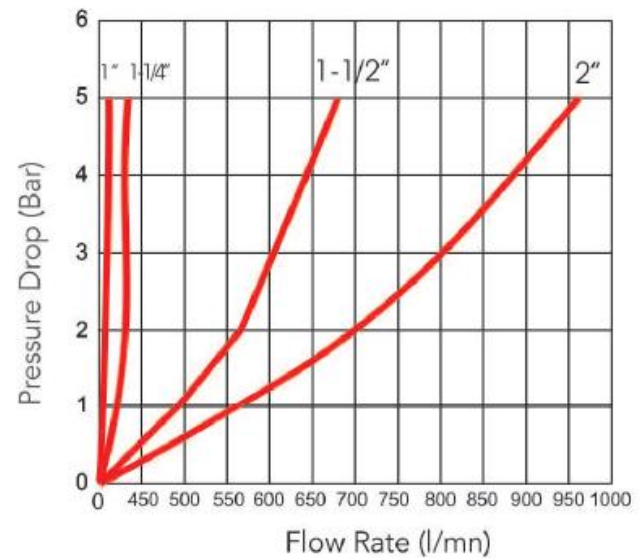
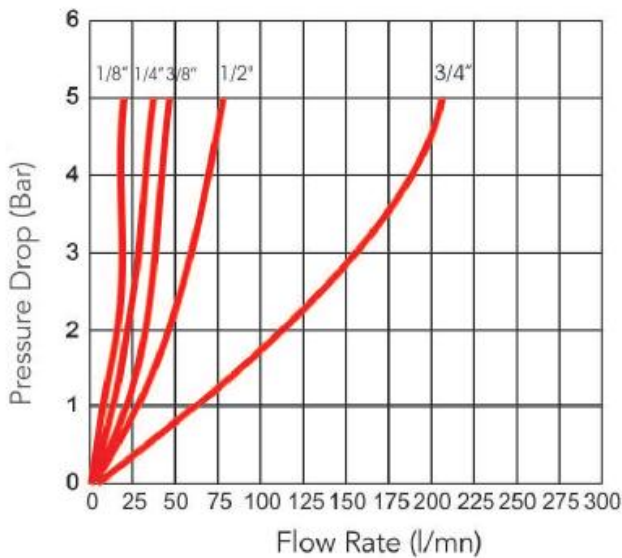
We have short check option at 1/4" BSPT 19W Thread size



ORDER CODE	Thread Size A	Working Pressure (bar)	Dimensions (mm)					
			A	B	C	D	E	F
T14-1-0025	1/8" BSP	650	18	53	25	M14x1	71,50	5,50
T14-1-0026	1/4" BSPT 19W	550	25	59	32	M20x1,5	61	4
T14-1-0027	1/4" BSP	550	25	59	32	M20x1,5	87	8
T14-1-0028	3/8" BSP	530	25	60	32	M20x1,5	87	8
T14-1-0029	1/2" BSP	500	30	66	34	M22x1,5	92	11
T14-1-0030	3/4" BSP	480	40	88	42	M30x1,5	123	17
T14-1-0031	1" BSP	450	45	100	42	M30x1,5	130	18,50
T14-1-0032	1-1/4" BSP	400	55	160	60	M40x1,5	170	19
T14-1-0033	1-1/2" BSP	380	65	195	60	M45x1,5	185	20
T14-1-0034	2" BSP	350	75	230	80	M50x2	200	21

HYDRAULIC FLOW CONTROL VALVES WITH CHECK

CODE	Thread Size A	Pressure Drop Δp					
		1 Bar		2 Bar		5 Bar	
		Controlled	Uncontrolled	Controlled	Uncontrolled	Controlled	Uncontrolled
T14-1-0025	1/8" BSP	6,80	8,55	10	12,00	15	19
T14-1-0026	1/4" BSPT 19W	10,60	15,20	14,90	21,50	23,60	33,90
T14-1-0027	1/4" BSP	10,60	15,20	14,90	21,50	23,60	33,90
T14-1-0028	3/8" BSP	10,60	20,70	14,90	29,90	23,60	46,20
T14-1-0029	1/2" BSP	23,70	34,20	33,60	48,30	52,90	76,30
T14-1-0030	3/4" BSP	38	94,80	53,80	134	85	211,90
T14-1-0031	1" BSP	65,90	152,30	93	215	148	340
T14-1-0032	1-1/4" BSP	121,80	168	172,30	238,30	272,50	376,80
T14-1-0033	1-1/2" BSP	203,90	307	288,50	434	455,90	686,90
T14-1-0034	2" BSP	285	431,90	402,70	609,90	637	965

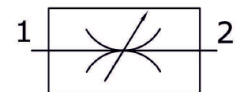
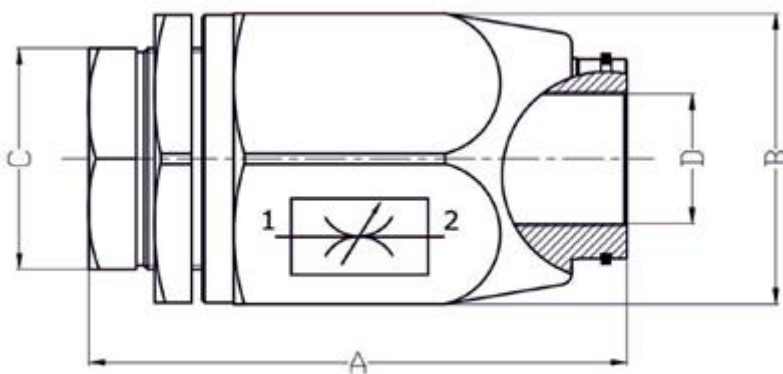


VOLAN TYPE FLOW CONTROL VALVES WITHOUT CHECK

Volan type flow control valves without check allow shut-off and the adjustment of the flow in both directions. They provide reliable and easy control of fluid by means of the control knob allows adjustment. The setscrew on the control knob allows the knob to be locked, preventing movements and changes due to vibration. Volan type flow control valves without check are widely used in many fields especially in mobile and industrial hydraulic units and elevating platforms by controlling and protecting of fluid power precisely, and providing accurate settings for fluid speed. Volan type flow control valves provides to increase or decrease the flow with the body movement.



Material	Carbon Steel
Thread Size	BSP (Upon Request: NPT, Metric)
Sealing	Nitrile O-ring (NBR)
Working Temperature	-30 °C and +110 °C
Plating	Zinc Plating (Cr III Passivation)
Applications	General hydraulic applications



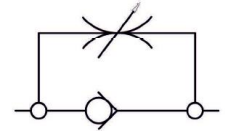
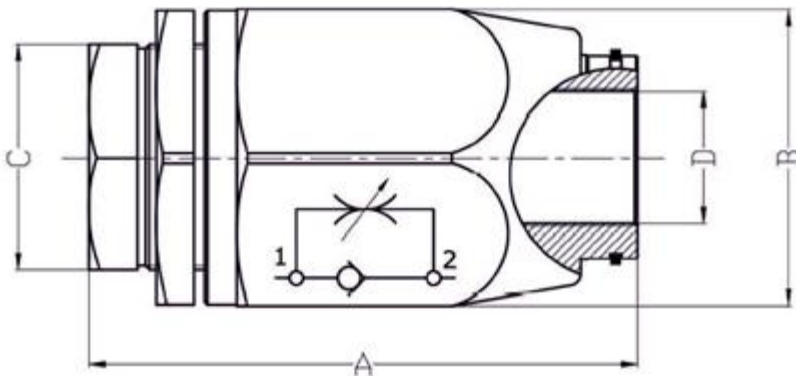
ORDER CODE	Thread Size (BSP)	Working Pressure (bar)	Dimensions (mm)		
			A	B	C
T14-1-0035	1/4"	430	70	AA32	AA24
T14-1-0036	3/8"	410	80	AA38	AA30
T14-1-0037	1/2"	380	85	AA41	AA32
T14-1-0038	3/4"	320	110	AA55	AA41
T14-1-0039	1"	300	130	AA65	AA50
T14-1-0040	1 1/4"	280	-	-	-
T14-1-0041	1 1/2"	260	-	-	-
T14-1-0042	2"	230	-	-	-

VOLAN TYPE FLOW CONTROL VALVES WITH CHECK

Volan type flow control valves allow shut-off and the adjustment of the flow in both directions. They provide reliable and easy control of fluid by means of the control knob allows adjustment. The setscrew on the control knob allows the knob to be locked, preventing movements and changes due to vibration. These valves are widely used in many fields especially in mobile and industrial hydraulic units and elevating platforms by controlling and protecting of fluid power precisely, and providing accurate settings for fluid speed. Volan type flow control valves provides to increase or decrease the flow with the body movement.



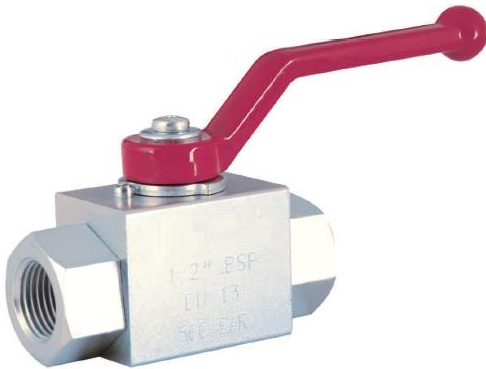
Material	Carbon Steel
Thread Size	BSP (Upon Request: NPT, Metric)
Sealing	Nitrile O-ring (NBR)
Working Temperature	-30 °C and +110 °C
Plating	Zinc Plating (Cr III Passivation)
Applications	General hydraulic applications



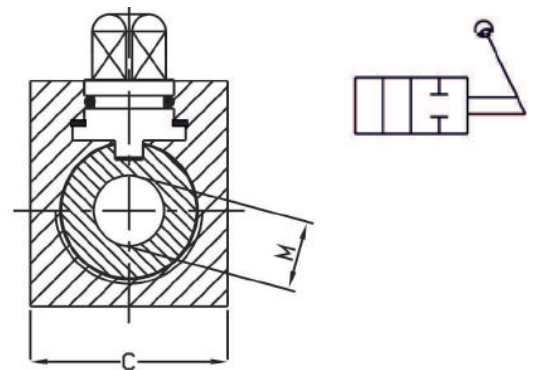
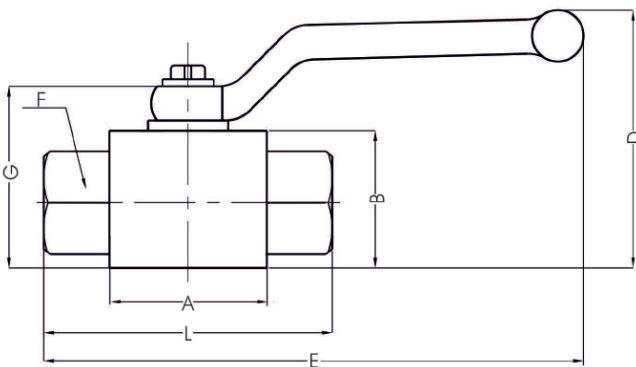
ORDER CODE	Thread Size (BSP)	Working Pressure (bar)	Dimensions (mm)		
			A	B	C
T14-1-0043	1/4"	430	70	AA32	AA24
T14-1-0044	3/8"	410	80	AA38	AA30
T14-1-0045	1/2"	380	85	AA41	AA32
T14-1-0046	3/4"	320	110	AA55	AA41
T14-1-0047	1"	300	130	AA65	AA50
T14-1-0048	1 1/4"	280	-	-	-
T14-1-0049	1 1/2"	260	-	-	-
T14-1-0050	2"	230	-	-	-

HYDRAULIC 2-WAY BALL VALVES

Hydraulic 2-Way Ball Valves are used to either shut-off or open of flow passage and their easy operation provides unrestricted flow. Due to their volumetric structure they work rapidly and efficiently, and prevent cavitation. These series can be locked in the open or closed position through locking washer on the circle pin. Internal ball is hard chrome coated steel and delrin (POM) seated. Ball Valves are suitable for LPG, CNG and other gas applications, as well as hydraulic and other industrial fluids.



Body Material	Carbon steel
Ball Material	Hard chrome coated carbon steel.
Thread Size	BSP, NPT
Ball Seats	Delrin (POM)
Sealing	Nitrile O-ring (NBR)
Working Temperature	-30 °C and +110 °C
Plating	Zinc Plating (Cr III Passivation)
Upon Request	VITON
Applications	Excavators, plastic injection mould machines, chemical processing plants, cranes, tankers, dump trucks and general hydraulic applications



ORDER CODE	Thread Size (BSP)	Working Pressure (bar)	Dimensions (mm)								
			M	A	B	C	D	E	F	G	L
T14-2-0001	1/4"	500	DN10	45	35	30	75	150	24	48	75
T14-2-0002	3/8"	500	DN10	45	35	30	75	150	24	48	75
T14-2-0003	1/2"	500	DN13	50	40	35	80	150	30	53	84
T14-2-0004	3/4"	400	DN20	60	55	45	118	240	38	73	96
T14-2-0005	1"	400	DN25	70	60	55	120	250	46	78	118
T14-2-0006	1 1/4"	400	DN25	70	60	55	120	260	50	78	133
T14-2-0007	1 1/2"	380	DN25	70	60	55	120	260	55	78	140

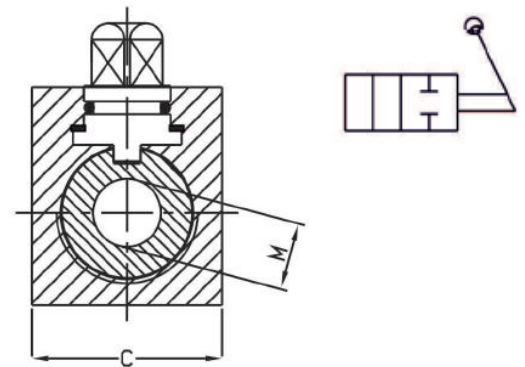
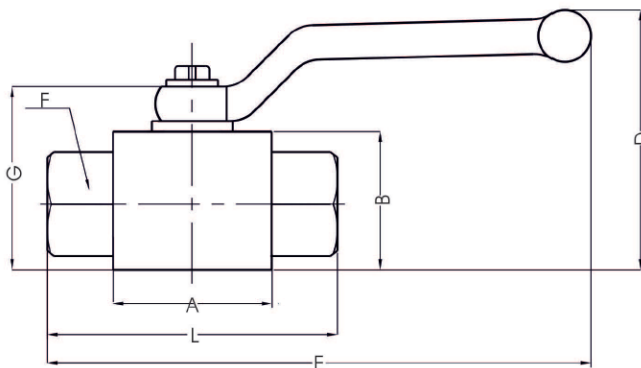
HYDRAULIC 2-WAY AISI 316-L STAINLESS STEEL BALL VALVES

2-Way AISI 316-L Stainless Steel Ball Valves are completely made of AISI 316-L stainless steel raw material have an excellent resistance to all kind of chemical and corrosion.

This series can be locked in the open or closed position through locking washer on the circle pin.



Body Material	AISI 316-L stainless steel
Ball Material	AISI 316-L stainless steel
Thread Size	BSP (Upon Request: NPT, Metric)
Ball Seats	Delrin (POM)
Sealing	Nitrile O-ring (NBR)
Working Temperature	-30 °C and +225 °C
Upon Request	VITON (With teflon seating) EPDM (For steam application)
Applications	Marine, food, pharmacy, medical, chemical, irrigation, paper, paint, textile, gas and aviation



ORDER CODE	Thread Size (BSP)	Working Pressure (bar)	Dimensions (mm)								
			M	A	B	C	D	E	F	G	L
T14-2-0008	1/4"	500	DN10	45	35	30	75	150	24	48	75
T14-2-0009	3/8"	500	DN10	45	35	30	75	150	24	48	75
T14-2-0010	1/2"	500	DN13	50	40	35	80	150	30	53	84
T14-2-0011	3/4"	400	DN20	60	55	45	118	240	38	73	96
T14-2-0012	1"	400	DN25	70	60	55	120	250	46	78	118
T14-2-0013	1 1/4"	400	DN25	70	60	55	120	260	50	78	133
T14-2-0014	1 1/2"	380	DN25	70	60	55	120	260	55	78	140

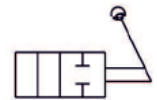
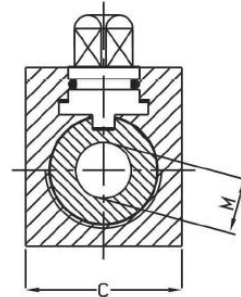
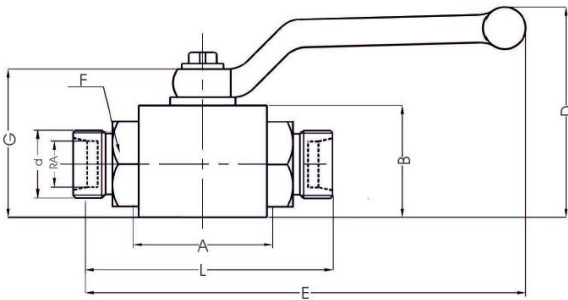
HYDRAULIC 2-WAY METRIC BALL VALVES

Hydraulic 2-Way Metric Ball Valves are used to either shut-off or open of flow passage and their easy operation provides unrestricted flow. Due to their volumetric structure they work rapidly and efficiently, and prevent cavitation.

This series can be locked in the open or closed position through locking washer on the circle pin. Internal ball is hard chrome coated steel and delrin (POM) seated. Metric Ball Valves are suitable for LPG, CNG and other gas applications, as well as hydraulic and other industrial fluids.



Body Material	Carbon steel
Ball Material	Hard chrome coated carbon steel.
Thread Size	Metric
Ball Seats	Delrin (POM)
Sealing	Nitrile O-ring (NBR)
Working Temperature	-30 °C and +110 °C
Plating	Zinc Plating (Cr III Passivation)
Upon Request	VITON
Applications	Excavators, plastic injection mould machines, chemical processing plants, cranes, tankers, dump trucks and general hydraulic applications



ORDER CODE	Thread Size	Working Pressure (bar)	Dimensions (mm)									
			M	A	B	C	D	E	F	G	L	RA
T14-2-0015	M14X1,5	500	DN10	45	35	30	75	150	24	48	75	8
T14-2-0016	M16X1,5	500	DN10	45	35	30	75	150	24	48	75	10
T14-2-0017	M18X1,5	500	DN10	45	35	30	75	150	24	48	75	12
T14-2-0018	M20X1,5	500	DN10	45	35	30	75	150	24	48	75	12
T14-2-0019	M22X1,5	500	DN13	50	40	35	80	150	30	53	84	14
T14-2-0020	M22X1,5	500	DN13	50	40	35	80	150	30	53	84	15
T14-2-0021	M24X1,5	500	DN13	50	40	35	80	150	30	53	84	16
T14-2-0022	M26X1,5	500	DN13	50	40	35	80	150	30	53	84	18
T14-2-0023	M28X1,5	500	DN13	50	40	35	80	150	30	53	84	20
T14-2-0024	M30X2	400	DN20	60	55	45	118	240	38	73	96	20
T14-2-0025	M36X2	400	DN20	60	55	45	118	240	38	73	96	25
T14-2-0026	M42X2	400	DN25	70	60	55	120	250	46	78	118	30
T14-2-0027	M45X2	400	DN25	70	60	55	120	250	50	78	133	35
T14-2-0028	M52X2	380	DN25	70	60	55	120	260	50	78	133	38

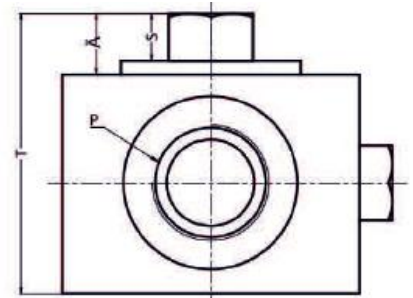
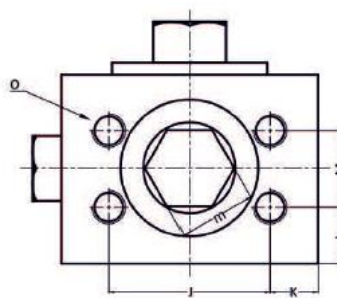
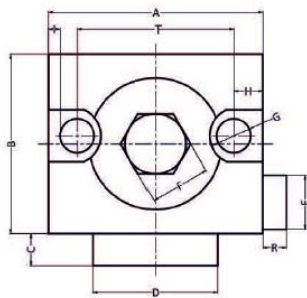
HYDRAULIC 2-WAY BALL VALVES (FOR HAMMERS & BRAKERS)

Hydraulic 2-Way Ball Valves (for hammers & brakers) have great resistance to pressure peaks prevent damage from high velocity fluid and Hydraulic shocks, allow applications involving high pressure impulses for hammers & brakers.



Body Material	High Grade Forged Steel
Ball Material	Hard chrome coated carbon steel.
Thread Size	BSP (Upon Request: NPT, Metric)
Ball Seats	Delrin (POM)
Sealing	Nitrile O-ring (NBR)
Working Temperature	-30 °C and +110 °C
Plating	Zinc Plating (Cr III Passivation)
Upon Request	VITON
Applications	Brakers, hammers, drilling machinery, cranes, excavators

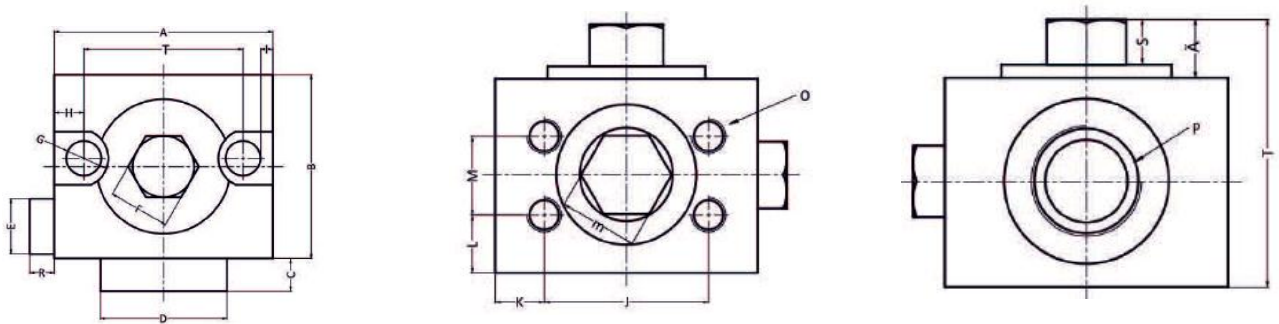
Left



ORDER CODE	Thread Size (BSP) P	Working Pressure (bar)	Dimensions (mm)																			
			A	B	C	D	E	F	G	H	I	İ	J	K	L	M	O	Ö	R	S	Ş	T
T14-2-0032	3/4"	460	-	-	-	-	-	-	-	-	-	-	-	-	-	-	-	-	-	-	-	-
T14-2-0033	3/4"	460	-	-	-	-	-	-	-	-	-	-	-	-	-	-	-	-	-	-	-	-
T14-2-0034	1"	440	82	85	10	51	27	30	13	9	2,50	64	52,5	15,25	17,25	26,50	M10 X1,5	25	12	12,50	16	81
T14-2-0035	1"	440	82	85	10	51	27	30	13	9	2,50	64	52,5	15,25	17,25	26,50	M10 X1,5	25	12	12,50	16	81
T14-2-0036	1 1/4"	420	107	95	10	62	27	30	17	14,50	6	78	67	20	23,50	32	M14 X2	32	12	17	22	79
T14-2-0037	1 1/4"	420	107	95	10	62	27	30	17	14,50	6	78	67	20	23,50	32	M14 X2	32	12	17	22	79
T14-2-0038	1 1/2"	400	-	-	-	-	-	-	-	-	-	-	-	-	-	-	-	-	-	-	-	-
T14-2-0039	1 1/2"	400	-	-	-	-	-	-	-	-	-	-	-	-	-	-	-	-	-	-	-	-

HYDRAULIC 2-WAY BALL VALVES (FOR HAMMERS & BRAKERS)

Right



ORDER CODE	Thread Size (BSP) P	Working Pressure (bar)	Dimensions (mm)																			
			A	B	C	D	E	F	G	H	I	İ	J	K	L	M	O	Ö	R	S	Ş	T
T14-2-0040	3/4"	460	-	-	-	-	-	-	-	-	-	-	-	-	-	-	-	-	-	-	-	-
T14-2-0041	3/4"	460	-	-	-	-	-	-	-	-	-	-	-	-	-	-	-	-	-	-	-	-
T14-2-0042	1"	440	82	85	10	51	27	30	13	9	2,50	64	52,5	15,25	17,25	26,50	M10 X1,5	25	12	12,50	16	81
T14-2-0043	1"	440	82	85	10	51	27	30	13	9	2,50	64	52,5	15,25	17,25	26,50	M10 X1,5	25	12	12,50	16	81
T14-2-0044	1 1/4"	420	107	95	10	62	27	30	17	14,50	6	78	67	20	23,50	32	M14 X2	32	12	17	22	79
T14-2-0045	1 1/4"	420	107	95	10	62	27	30	17	14,50	6	78	67	20	23,50	32	M14 X2	32	12	17	22	79
T14-2-0046	1 1/2"	400	-	-	-	-	-	-	-	-	-	-	-	-	-	-	-	-	-	-	-	-
T14-2-0047	1 1/2"	400	-	-	-	-	-	-	-	-	-	-	-	-	-	-	-	-	-	-	-	-



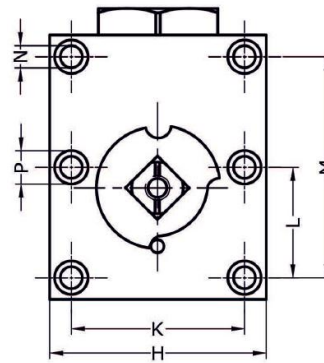
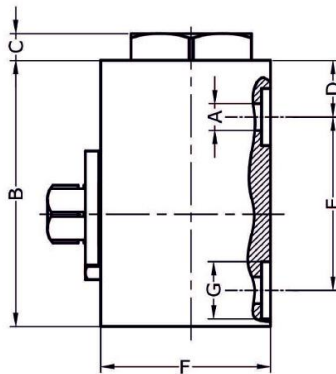
HYDRAULIC 2-WAY AISI 316-L STAINLESS STEEL BALL VALVES

Hydraulic Panel Type Ball Valves are used to either shut-off or open of flow passage and their easy operation provides unrestricted flow. Due to their volumetric structure they work rapidly and efficiently, and prevent cavitation.

This series can be locked in the open or closed position through locking washer on the circle pin. Internal ball is hard chrome coated steel and delrin (POM) seated. Ball Valves are suitable for LPG, CNG and other gas applications, as well as hydraulic and other industrial fluids. BVP Series Hydraulic Panel Type Ball Valves provides to connect with impulse bolt.



Body Material	Carbon steel
Ball Material	Hard chrome coated carbon steel.
Connection Type	Impulse Bolt
Ball Seats	Delrin (POM)
Sealing	Nitrile O-ring (NBR)
Working Temperature	-30 °C and +110 °C
Plating	Zinc Plating (Cr III Passivation)
Upon Request	VITON
Applications	Excavators, plastic injection mould machines, chemical processing plants, cranes, tankers, dump trucks and general hydraulic applications



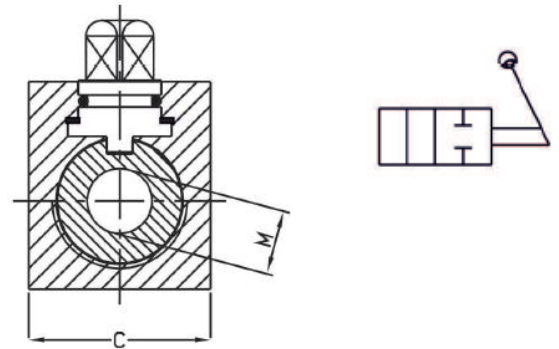
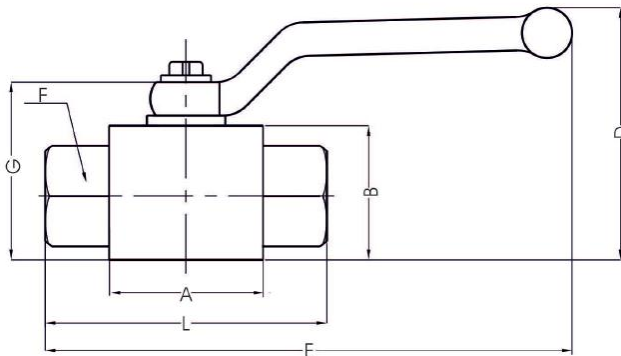
ORDER CODE	Working Pressure (bar)	Dimensions (mm)													
		A	B	C	D	E	F	G	H	K	L	M	N	P	O-Ring
T14-2-0048	500	DN6	59,80	6	12,80	39	38	13	49	35	-	42	8,50	-	8X2,5
T14-2-0049	500	DN10	71	6	17	44	41	15	55	40	-	55	9	13,50	10X2,5
T14-2-0050	500	DN13	98,50	7	24,50	58	50	20	60	45	42,50	83	9	13,50	15X2,5
T14-2-0051	400	DN20	118	7	29	69	70	30	70	51,20	48,50	97	10,50	17,50	23,39X3,53
T14-2-0052	400	DN25	137	8	31	81	80	35	80	60	57,50	115	13	18,50	28,17X3,53
T14-2-0053	380	DN32	165,50	10	40,50	96	100	40	100	78	68	136	13	19,50	32,92X3,53
T14-2-0054	350	DN40	183	10	42,50	112	100	48,50	130	95	56	112	17	25	40,87X3,53
T14-2-0055	350	DN50	221	20	47	136	115	57,20	150	112	68	136	22	33	50,39X3,53

HYDRAULIC 2-WAY BALL VALVES (ROX AGRICULTURAL SERIES)

Hydraulic 2-Way Ball Valves are used to either shut-off or open of flow passage and their easy operation provides unrestricted flow. Due to their volumetric structure they work rapidly and efficiently, and prevent cavitation. This series can be locked in the open or closed position through locking washer on the circle pin. Internal ball is hard chrome coated steel and delrin (POM) seated. Valves are suitable for LPG, CNG and other gas applications, as well as hydraulic and other industrial fluids.



Body Material	Carbon steel
Ball Material	Hard chrome coated carbon steel.
Thread Size	BSP, NPT
Ball Seats	Delrin (POM)
Sealing	Nitrile O-ring (NBR)
Working Temperature	-30 °C and +110 °C
Plating	Zinc Plating (Cr III Passivation)
Upon Request	VITON
Applications	Excavators, plastic injection mould machines, chemical processing plants, cranes, tankers, dump trucks and general hydraulic applications



ORDER CODE	Thread Size (BSP)	Working Pressure (bar)	Dimensions (mm)								
			M	A	B	C	D	E	F	G	L
T14-2-0056	1/4"	500	DN10	45	35	30	75	150	24	48	75
T14-2-0057	3/8"	500	DN10	45	35	30	75	150	24	48	75
T14-2-0058	1/2"	500	DN13	50	40	35	80	150	30	53	84
T14-2-0059	3/4"	400	DN20	60	55	45	118	240	38	73	96

HYDRAULIC 3-WAY BALL VALVES

Hydraulic 3-Way Ball Valves, 2 different types, L-Bore and T-Bore, are available. 3-way ball valves are used for applications where one input is directed to two other outputs, and their easy operation provides unrestricted flow.

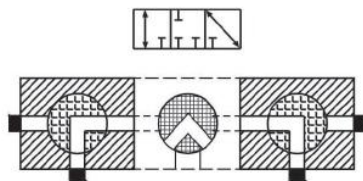
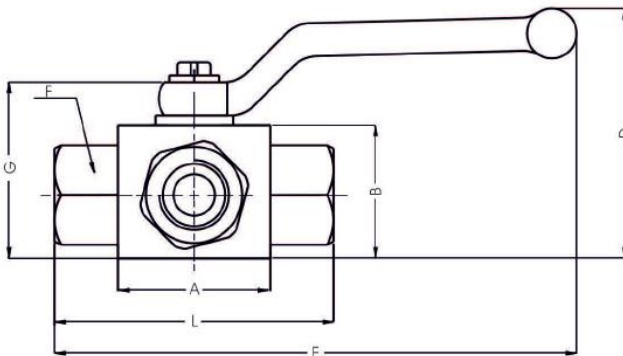
Due to their volumetric structure they work rapidly and efficiently, and prevent cavitation. This Series can be locked in the open or closed position through locking washer on the circle pin. Internal ball is hard chrome coated steel and delrin (POM) seated. 3-way ball valves are suitable for LPG, CNG and other gas applications, as well as hydraulic and other industrial fluids.



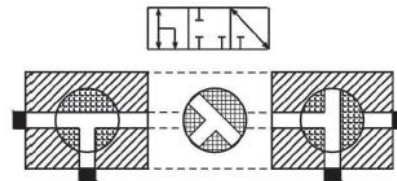
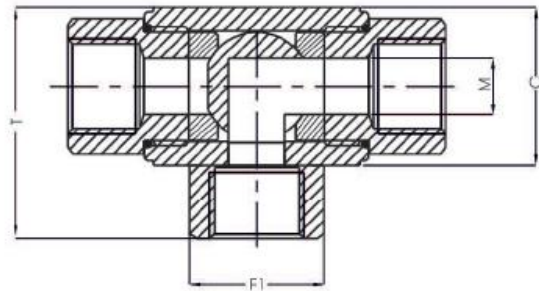
Body Material	Carbon steel
Ball Material	Hard chrome coated carbon steel.
Thread Size	BSP (Upon Request: NPT, Metric)
Ball Seats	Delrin (POM)
Sealing	Nitrile O-ring (NBR)
Working Temperature	-30 °C and +110 °C
Plating	Zinc Plating (Cr III Passivation)
Upon Request	VITON

Applications

Excavators, plastic injection mould machines, chemical processing plants, cranes, tankers, dump trucks and general hydraulic applications



L-Bore



T-Bore

ORDER CODE L-BORE	ORDER CODE T-BORE	Thread Size (BSP)	Working Pressure (bar)	Dimensions (mm)										
				M	A	B	C	D	E	F	F	G	L	T
T14-2-0060	T14-2-0067	1/4"	500	DN10	45	35	35	75	150	24	24	48	75	50
T14-2-0061	T14-2-0068	3/8"	500	DN10	45	35	35	75	150	24	24	48	75	50
T14-2-0062	T14-2-0069	1/2"	500	DN13	50	40	40	80	150	30	30	53	84	57
T14-2-0063	T14-2-0070	3/4"	400	DN20	60	55	55	118	240	38	38	73	96	71
T14-2-0064	T14-2-0071	1"	400	DN25	70	60	60	120	250	46	46	78	118	83
T14-2-0065	T14-2-0072	1 1/4"	400	DN25	70	60	60	120	260	50	50	78	133	91
T14-2-0066	T14-2-0073	1 1/2"	380	DN25	70	60	60	120	260	55	55	78	140	94

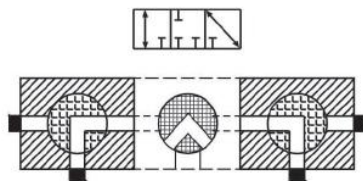
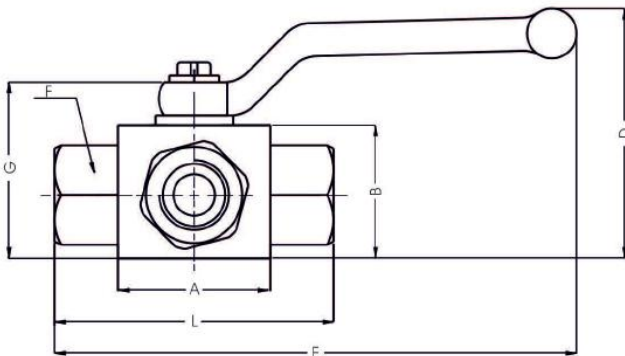
HYDRAULIC 3-WAY AISI 316-L STAINLESS STEEL BALL VALVES

Hydraulic 3-Way AISI 316-L Stainless Steel Ball Valves, 2 different types, L-Bore and T-Bore, are available. 3-way ball valves are used for applications where one input is directed to two other outputs, and their easy operation provides unrestricted flow.

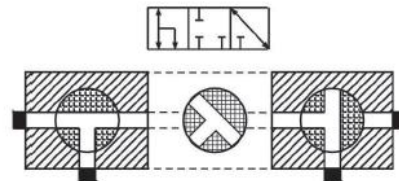
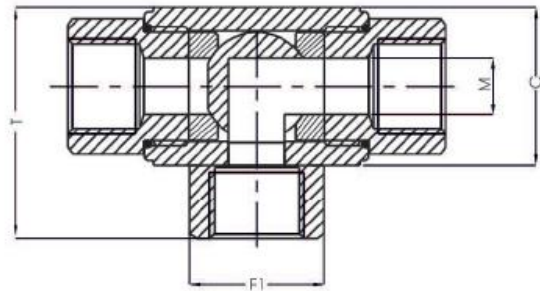
Due to their volumetric structure they work rapidly and efficiently, and prevent cavitation. This series can be locked in the open or closed position through locking washer on the circle pin. 3-Way AISI 316-L Stainless Steel Ball Valves have an excellent resistance to all kind of chemical and corrosion. Internal ball is stainless steel and delrin (POM) seated.



Body Material	AISI 316 stainless steel
Ball Material	AISI 316 stainless steel
Thread Size	BSP (Upon Request: NPT, Metric)
Ball Seats	Delrin (POM)
Sealing	Nitrile O-ring (NBR)
Working Temperature	-30 °C and +110 °C
Upon Request	VITON, EPDM (For steam application)
Applications	Marine, food, pharmacy, medical, chemical, irrigation, paper, paint, textile, gas and aviation



L-Bore



T-Bore

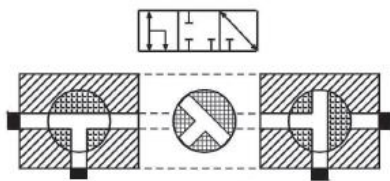
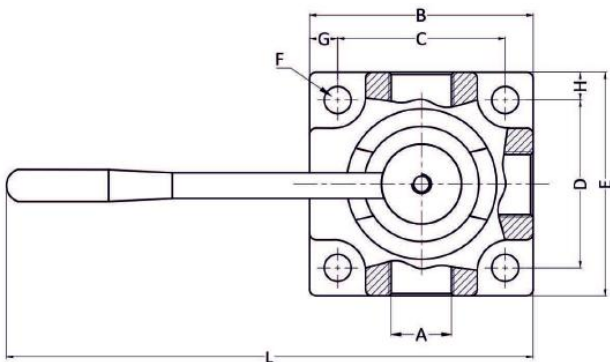
ORDER CODE L-BORE	ORDER CODE T-BORE	Thread Size (BSP)	Working Pressure (bar)	Dimensions (mm)										
				M	A	B	C	D	E	F	F	G	L	T
T14-2-0074	T14-2-0081	1/4"	500	DN10	45	35	35	75	150	24	24	48	75	50
T14-2-0075	T14-2-0082	3/8"	500	DN10	45	35	35	75	150	24	24	48	75	50
T14-2-0076	T14-2-0083	1/2"	500	DN13	50	40	40	80	150	30	30	53	84	57
T14-2-0077	T14-2-0084	3/4"	400	DN20	60	55	55	118	240	38	38	73	96	71
T14-2-0078	T14-2-0085	1"	400	DN25	70	60	60	120	250	46	46	78	118	83
T14-2-0079	T14-2-0086	1 1/4"	400	DN25	70	60	60	120	260	50	50	78	133	91
T14-2-0080	T14-2-0087	1 1/2"	380	DN25	70	60	60	120	260	55	55	78	140	94

HYDRAULIC 3-WAY ALUMINIUM BALL VALVES

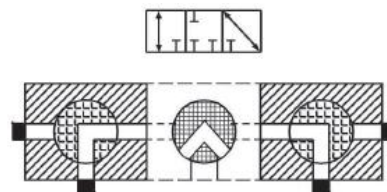
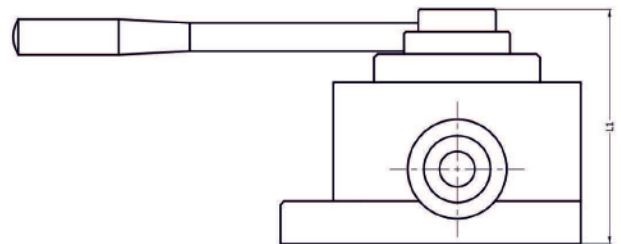
Hydraulic 3-Way Aluminium Ball Valves, 2 different types, Open Center and Closed Center, are available. 3-way ball valves are used for applications where one input is directed to two other outputs, and their easy operation provides unrestricted flow. Due to their volumetric structure they work rapidly and efficiently, and prevent cavitation. 3-way ball valves are widely used for mobile and on-vehicle hydraulic applications.



Body Material	Aluminium
Thread Size	BSP (Upon Request: NPT, Metric)
Sealing	Nitrile O-ring (NBR)
Working Temperature	-30 °C and +110 °C
Upon Request	VITON
Applications	Excavators, cranes and on-vehicle hydraulic applications



Open Center

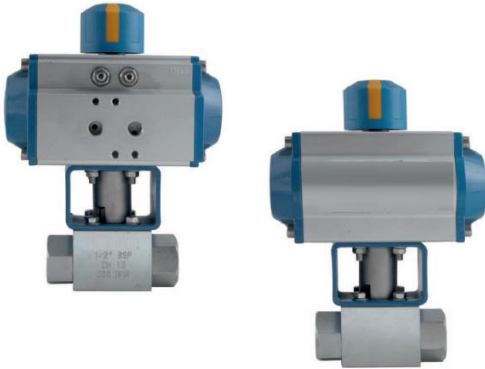


Closed Center

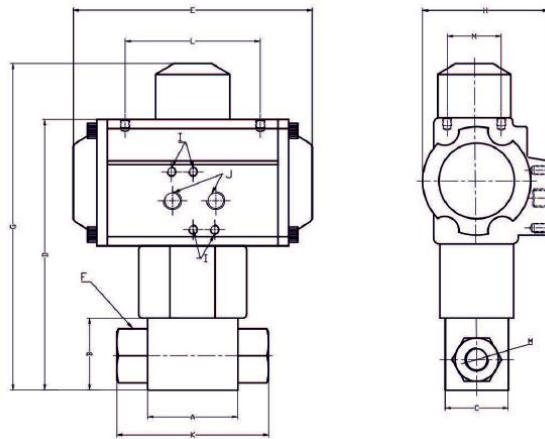
ORDER CODE OPEN CENTER	ORDER CODE CLOSED CENTER	Thread Size (BSP)	Working Pressure (bar)	Dimensions (mm)								
				B	C	D	E	F	F	G	L	L1
T14-2-0088	T14-2-0092	3/8"	370	60	46	46	60	6,50	7	7	145	65
T14-2-0089	T14-2-0093	1/2"	340	70	52,5 0	52,5 0	70	8,50	8,75	8,75	150	70
T14-2-0090	T14-2-0094	3/4"	300	78	61	61	78	8,50	8,50	8,50	160	85
T14-2-0091	T14-2-0095	1"	250	92	72	72	92	10,5 0	10	10	170	89

DOUBLE ACTING PNEUMATIC ACTUATOR HYDRAULIC 2-WAY BALL VALVES

Double acting Pneumatic Actuator Hydraulic 2-Way Ball Valves are used to either shut-off or open of flow passage and their easy operation provides unrestricted flow. Due to their volumetric structure they work rapidly and efficiently, and prevent cavitation. This series can be locked in the open or closed position through locking washer on the circle pin. Internal ball is hard chrome coated steel and delrin (POM) seated. Ball Valves are suitable for LPG, CNG and other gas applications, as well as hydraulic and other industrial fluids. Provides the movement with pneumatic actuator instead of handle motion



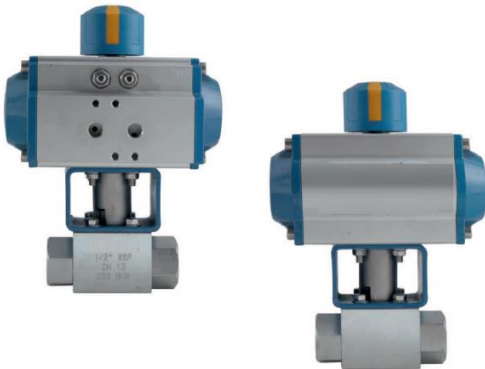
Body Material	Carbon steel
Ball Material	Hard chrome coated carbon steel, AISI 316-L Stainless Steel
Thread Size	BSP, NPT
Ball Seats	Delrin (POM)
Sealing	Nitrile O-ring (NBR)
Working Temperature	-30 °C and +110 °C
Plating	Zinc Plating (Cr III Passivation)
Upon Request	VITON
Applications	Excavators, plastic injection mould machines, chemical processing plants, cranes, tankers, dump trucks and general hydraulic applications



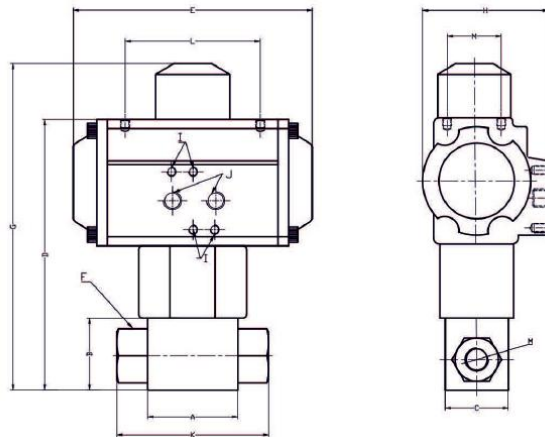
ORDER CODE	Thread Size (BSP)	Working Pressure (bar)	Dimensions (mm)																
			M	A	B	C	D	E	F	G	H	I	J	K	L	M	N	O	P
T14-2-0096	1/4"	500	DN10	45	35	30	146	139	24	181	70	M5	1/8"	75	80	30	-	-	-
T14-2-0097	3/8	500	DN10	45	35	30	146	139	24	181	70	M5	1/8"	75	80	30	-	-	-
T14-2-0098	1/2"	500	DN13	50	40	35	150	139	30	181	70	M5	1/8"	84	80	30	-	-	-
T14-2-0099	3/4"	400	DN20	60	55	45	118	173	38	252	83	M5	1/8"	96	80	30	-	-	-
T14-2-0100	1"	400	DN25	70	60	55	218	242	46	250	110	M5	1/8"	118	80	30	-	-	-
T14-2-0101	1/4"	500	DN10	45	35	30	146	139	24	181	70	M5	1/8"	75	80	30	4	27,50	47,50
T14-2-0102	3/8	500	DN10	45	35	30	146	139	24	181	70	M5	1/8"	75	80	30	4	27,50	47,50
T14-2-0103	1/2"	500	DN13	50	40	35	150	139	30	181	70	M5	1/8"	84	80	30	4	30,50	54,50
T14-2-0104	3/4"	400	DN20	60	55	45	118	173	38	252	83	M5	1/8"	96	80	30	4	40,50	64,50
T14-2-0105	1"	400	DN25	70	60	55	218	242	46	250	110	M5	1/8"	118	80	30	4	50,50	74,50

DOUBLE ACTING PNEUMATIC ACTUATOR HYDRAULIC 3-WAY BALL VALVES

Double Acting Pneumatic Actuator Hydraulic 3-Way Ball Valves are used to either shut-off or open of flow passage and their easy operation provides unrestricted flow. Due to their volumetric structure they work rapidly and efficiently, and prevent cavitation. This series can be locked in the open or closed position through locking washer on the circle pin. Internal ball is hard chrome coated steel and delrin (POM) seated. Ball Valves are suitable for LPG, CNG and other gas applications, as well as hydraulic and other industrial fluids. Provides the movement with pneumatic actuator instead of handle Motion.



Body Material	Carbon steel
Ball Material	Hard chrome coated carbon steel, AISI 316-L Stainless Steel
Thread Size	BSP, NPT
Ball Seats	Delrin (POM)
Sealing	Nitrile O-ring (NBR)
Working Temperature	-30 °C and +110 °C
Plating	Zinc Plating (Cr III Passivation)
Upon Request	VITON
Applications	Excavators, plastic injection mould machines, chemical processing plants, cranes, tankers, dump trucks and general hydraulic applications



ORDER CODE	Thread Size (BSP)	Working Pressure (bar)	Dimensions (mm)																	
			M	A	B	C	D	E	F	G	H	I	J	K	L	M	N	O	P	R
T14-2-0106	1/4"	500	DN10	45	35	30	146	139	24	181	70	M5	1/8"	75	80	30	-	-	-	-
T14-2-0107	3/8"	500	DN10	45	35	30	146	139	24	181	70	M5	1/8"	75	80	30	-	-	-	-
T14-2-0108	1/2"	500	DN13	50	40	35	150	139	30	181	70	M5	1/8"	84	80	30	-	-	-	-
T14-2-0109	3/4"	400	DN20	60	55	45	118	173	38	252	83	M5	1/8"	96	80	30	-	-	-	-
T14-2-0110	1"	400	DN25	70	60	55	218	242	46	250	110	M5	1/8"	118	80	30	-	-	-	-
T14-2-0111	1/4"	500	DN10	45	35	30	146	139	24	181	70	M5	1/8"	75	80	30	4	27,50	54,50	45,50
T14-2-0112	3/8"	500	DN10	45	35	30	146	139	24	181	70	M5	1/8"	75	80	30	4	27,50	54,50	45,50
T14-2-0113	1/2"	500	DN13	50	40	35	150	139	30	181	70	M5	1/8"	84	80	30	4	30,50	60,50	49,50
T14-2-0114	3/4"	400	DN20	60	55	45	118	173	38	252	83	M5	1/8"	96	80	30	4	40,50	74,50	60,50
T14-2-0115	1"	400	DN25	70	60	55	218	242	46	250	110	M5	1/8"	118	80	30	4	50,50	80	70,50

HYDREX

A.O.S.B. 10.000 Sokak No.22
Çiğli / İzmir / Türkiye
Tel: +90 232 376 79 99
Fax: +90 232 376 80 78

sales@hyrex.com.tr
info@hyrex.com.tr

www.hyrex.com.tr

